

# Ratings



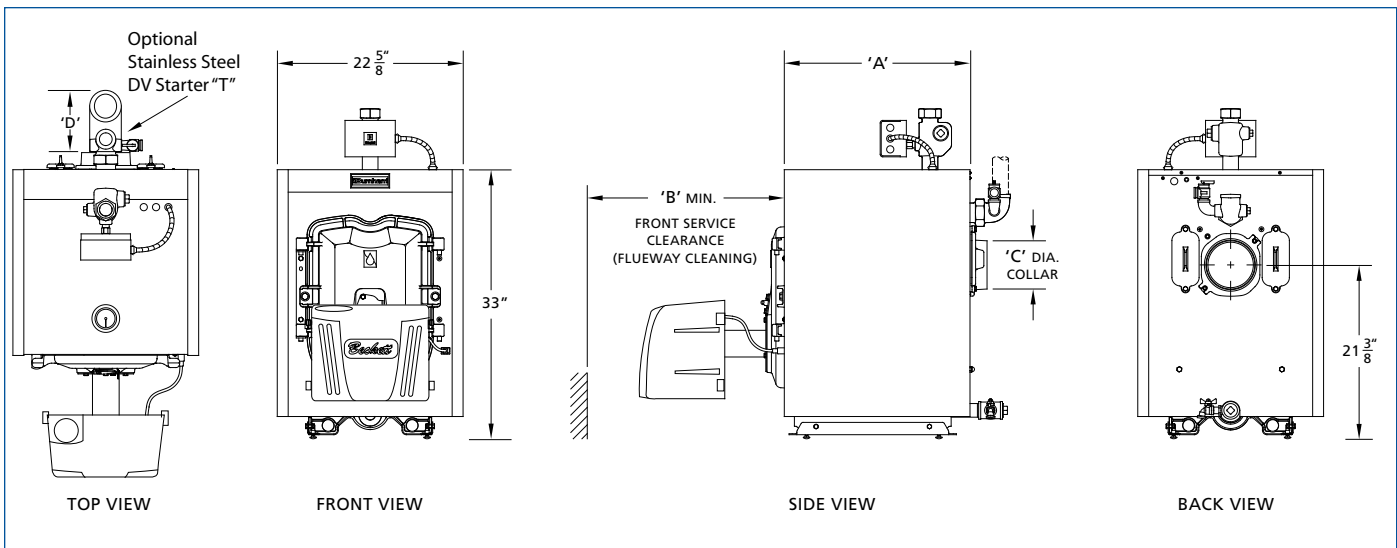
Model Number	Burner Capacity (GPH)	DOE Heating Capacity (MBH)	I=B=R Water Ratings	ENERGY STAR AFUE%
MPO84	.60	74	64	87
MPO115	.80	98	85	87
MPO147	1.05	129	112	87
MPO189	1.35	167	145	87
MPO231	1.65	203	177	87

# Specifications

Model Number	Dimensions (inches)			Water Content (gal.)	Natural Vent Approximate Shipping Weight (lbs.)	Direct Vent Approximate Shipping Weight (lbs.)
	'A'	'B'	'C'			
MPO84	16-5/8	24	5	7.70	475	N/A
MPO115	16-5/8	24	5	7.70	475	N/A
MPO147	22-5/8	24	6	11.08	567	579
MPO189	28-5/8	30	6	14.46	659	692
MPO231	34-5/8	30	7	17.84	751	807

# MPO Direct Vent Kit

Model Number	Vent Connector Diameter (inches)	Optional Starter "T" Depth 'D' (Inches)
MPO147	5	14
MPO189	5	14.5
MPO231	6	14.5



[www.burnham.com](http://www.burnham.com)

© 2008 U.S. Boiler Company, Inc. - Lancaster, PA  
 Phone: 1-888-432-8887  
[www.burnham.com](http://www.burnham.com)